

# STREET SERIES

## Product family datasheet



### PRODUCT FEATURES

- ✓ Constant current design
- ✓ Cree LED® 5050 K class inside
- ✓ Wide range of CCTs (2700K-6500K) and CRI options<sup>1</sup>
- ✓ Up to 195 lm/W efficacy at nominal driving current and tc
- ✓ Wide 120° angle
- ✓ Enhanced sulfur resistance
- ✓ WAGO 2060 connectors for easy installation
- ✓ 2 terminals for serial or parallel wiring
- ✓ Aluminium PCB for better thermal management
- ✓ Long lifetime L90 >100khrs<sup>2</sup>
- ✓ tc = 95°C
- ✓ Zhaga BOOK 15 compliant
- ✓ Compatible with industry standard 3rd party, e.g. Ledil, secondary optics
- ✓ NTC for board temperature control
- ✓ 2x4, 2x6 and 2x8 versions available
- ✓ 5 years warranty<sup>3</sup>
- ✓ Made in EU

<sup>1</sup> See table below for details

<sup>2</sup> For tc = 85°C. For tc = 95°C L90 = 25 000hrs

<sup>3</sup> See [www.tron.cz](http://www.tron.cz) for detailed conditions

## GENERAL SPECIFICATIONS

Parameter	Value
Viewing angle (FWHM)	120°
Nominal current	700 mA
Maximum current	1 400 mA
Nominal $t_c$	65 °C
Maximum $t_c$	95 °C
Ambient temperature range	-40 °C - +70 °C
Maximum working voltage for insulation <sup>1,2</sup>	300 V
Insulation test voltage	1.6 kV
Printed board material	Aluminium
Printed board CTI	≥600
Risk Group acc. to EN 62471	RG1 <sup>3</sup>
Protection	IP00
Lumen maintenance L90B50	>100 000 h <sup>4</sup>
Classification acc. to IEC 62031	Built-in
Warranty	5 years

<sup>1</sup> See page 5 for detailed mounting instructions

<sup>2</sup> Type of insulation - basic

<sup>3</sup> For cool white exceeds RG1 threshold at module current of 1 222mA

<sup>4</sup> For  $t_c$  = 85°C. For  $t_c$  = 95°C L90 = 25 000hrs



## TECHNICAL SPECIFICATIONS

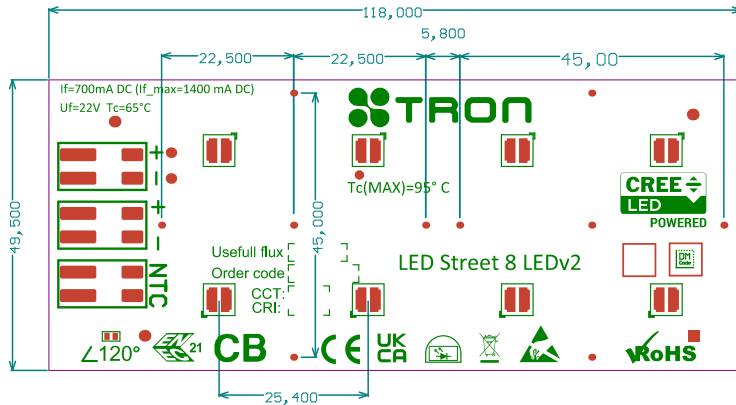
Size	CCT	CRI <sup>1</sup>	Nominal current	Maximum current	Luminous flux <sup>2</sup>	Forward voltage	Power	Efficacy	Colour consistency <sup>3</sup>	Energy class					
2x4	2700 K	70	700 mA	1 400 mA	2 735 lm	22.1 V	15.5 W	176 lm/W	5 SDCM	D					
		80			2 528 lm			167 lm/W		D					
	3000 K	70			2 874 lm			185 lm/W		C					
		80			2 682 lm			173 lm/W		D					
	4000 K	70			3 020 lm			195 lm/W		C					
		80			2 821 lm			182 lm/W		C					
	6500 K	70		3 020 lm	195 lm/W			C							
		80		2 821 lm	182 lm/W			C							
	2x6	2700 K		70	700 mA			1 400 mA		4 102 lm	33.2 V	23.2 W	176 lm/W	5 SDCM	D
				80						3 873 lm			167 lm/W		D
3000 K		70	4 311 lm	185 lm/W		C									
		80	4 022 lm	173 lm/W		D									
4000 K		70	4 530 lm	195 lm/W		C									
		80	4 232 lm	182 lm/W		C									
6500 K		70	4 530 lm	195 lm/W		C									
		80	4 232 lm	182 lm/W		C									
2x8		2700 K	70	700 mA		1 400 mA	5 470 lm	44.3 V	31.0 W	176 lm/W			5 SDCM		D
			80				5 164 lm			167 lm/W					D
	3000 K	70	5 748 lm		185 lm/W		C								
		80	5 363 lm		173 lm/W		D								
	4000 K	70	6 040 lm		195 lm/W		C								
		80	5 642 lm		182 lm/W		C								
	6500 K	70	6 040 lm		195 lm/W	C									
		80	5 642 lm		182 lm/W	C									

<sup>1</sup> CRI tolerance  $\pm 2$   
<sup>2</sup> Luminous flux tolerance  $\pm 7\%$   
<sup>3</sup> Colour coordinate tolerance  $\pm 0.01$

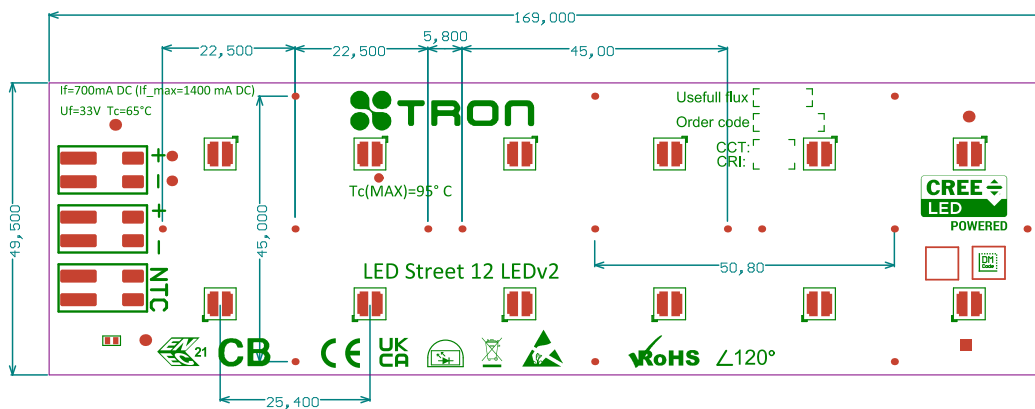
\* At nominal PCB drive current and  $t_c$  of 65°C  
\*\* Specified values are typical

## TECHNICAL DRAWINGS

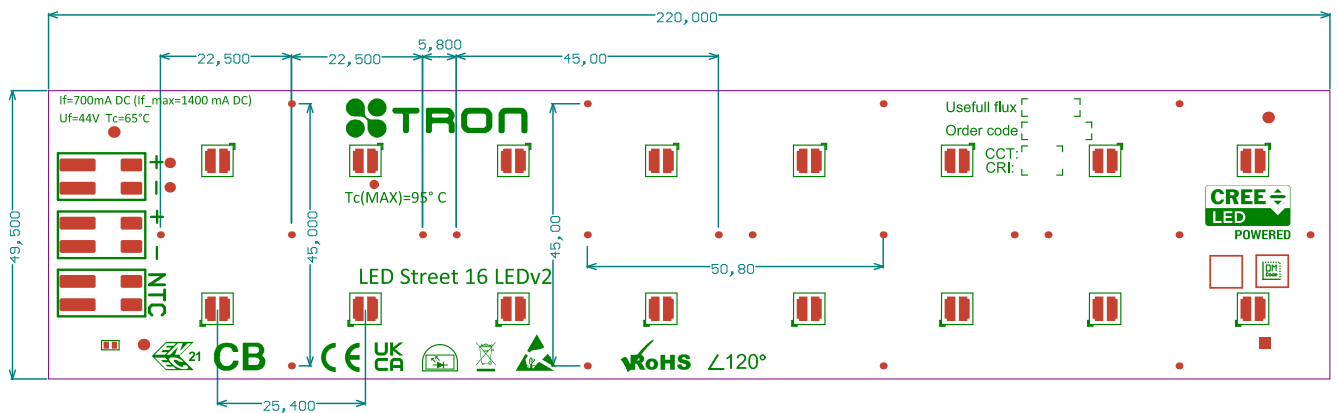
### Version 2x4



### Version 2x6



### Version 2x8



## WIRING SPECIFICATION

Connector type	Wago 2060-452 Push-button terminal
Wire typ	Solid or fine-stranded conductor
Strip length	7 - 9 mm
Wire size	0.2 - 0.75 mm <sup>2</sup> / 24 - 18 AWG
Wire can be released by 2060-189 operating tool	



## MOUNTING INSTRUCTIONS

The following mounting methods must be used to ensure compliance with specifications:

1. Use screws with diameter of 3 mm and maximum screw head diameter of 7 mm.
2. If the screw head diameter exceeds 7 mm plastic washer must be used with diameter at least 4 mm greater than the diameter of the screw head and thickness greater than 1 mm.
3. Plastic mounting clips.

## SPECIAL PRECAUTIONS

LED Modules are ESD sensitive electronic devices and should be installed, maintained and tested by a qualified person. Handle with care according to IEC 61340-5-1 regulation.

## ORDER CODE CONFIGURATION

Product code	Size	CRI	CCT
<b>LMSTR</b>	<b>SSS</b>	<b>I</b>	<b>TT</b>
	2x4 = 8 LED	<b>B</b> = 70	<b>27</b> = 2700 K
	2x6 = 12 LED	<b>H</b> = 80	<b>30</b> = 3000 K
	2x8 = 16 LED		<b>40</b> = 4000 K
			<b>50</b> = 5000 K
			<b>65</b> = 6500 K

Example: **LMSTR-2x6-B27**<sup>1</sup>

<sup>1</sup> Contact your local sales for pricing and availability of other CCT and CRI combinations not listed in the table above